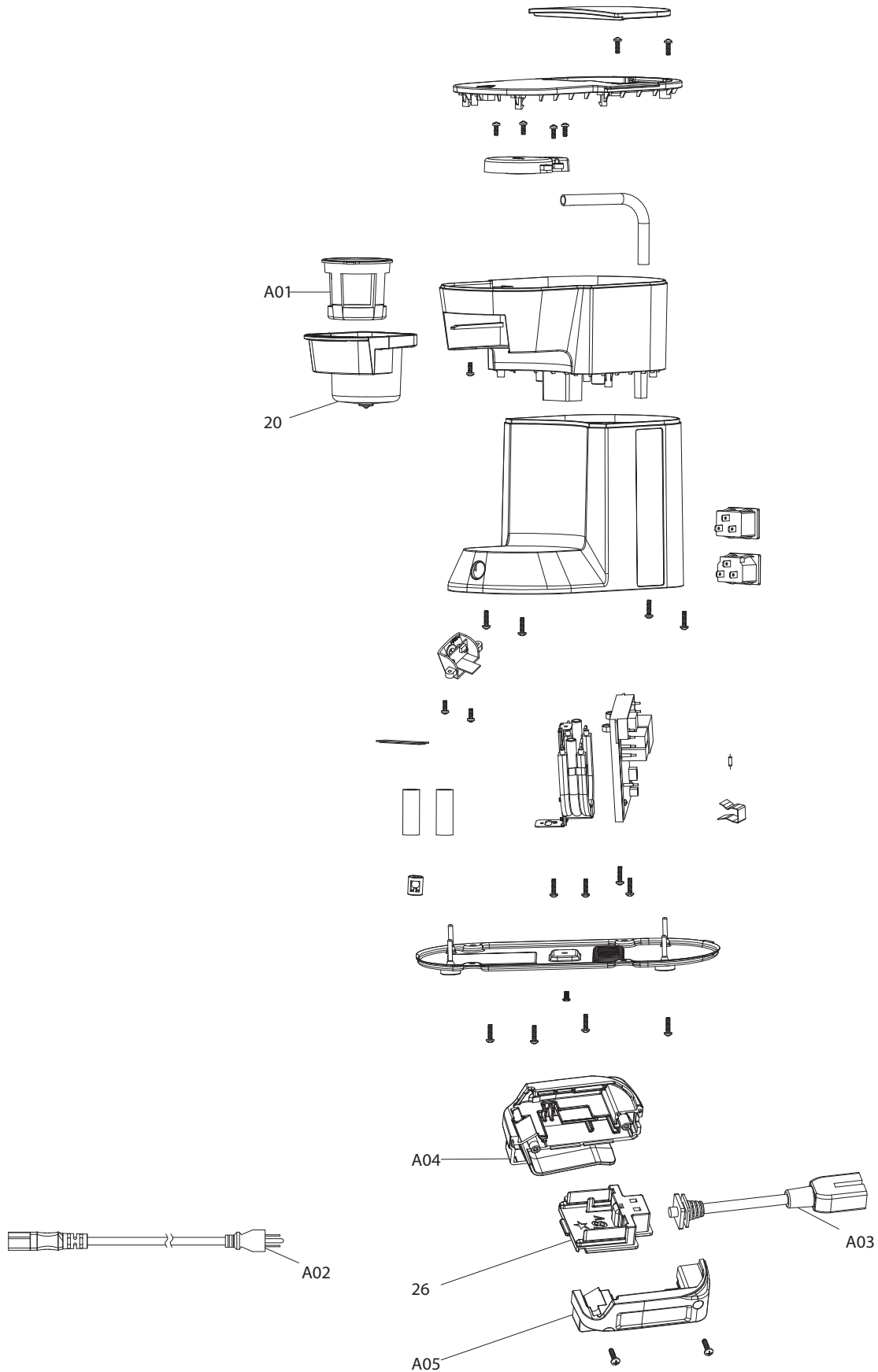




09 - 2014
DCM500Z
18V Coffee Maker



Item No.	Type	Sub	Part No.	Description	Qty	Unit
020			BE00000020	FILTER DRAWER	1	PC
026			BE00000026	TERMINAL	1	PC
<u>ACCESSORIES</u>						
A01			BE00000021	FILTER	1	PC
A02			BE00000022	AC POWER CORD	1	PC
A03	1		BE00000024	DC POWER CORD, H05VV-F	1	PC
	2		BE00000046	DC POWER CORD, SJT	1	PC
A04	1		BE00000025	* LEFT COVER OF BATTERY BOX	1	PC
	2		BE00000038	* BATTERY BOX COVER SET	1	SET
		INC.		* Item No. A05	1	SET
A05	1		BE00000027	* RIGHT COVER OF BATTERY BOX	1	PC
	2		BE00000038	* BATTERY BOX COVER SET	1	SET
		INC.		* Item No. A04	1	SET
A06			-----	18V LI-ION BATTERY		
A07			-----	BATTERY CHARGER		
A08			-----	LI-ION BATTERY ACCESSORIES		

SERVICE CHANGES

1. Changes on Battery Box Cover

(TI#Y07192)

Item No.	Description Type 1	Description Type 2	Type 1	Type 2
A04	LEFT COVER OF BATTERY BOX	BATTERY BOX COVER SET	BE00000025	BE00000038
A05	RIGHT COVER OF BATTERY BOX		BE00000027	

Above parts are completely interchangeable as a set.